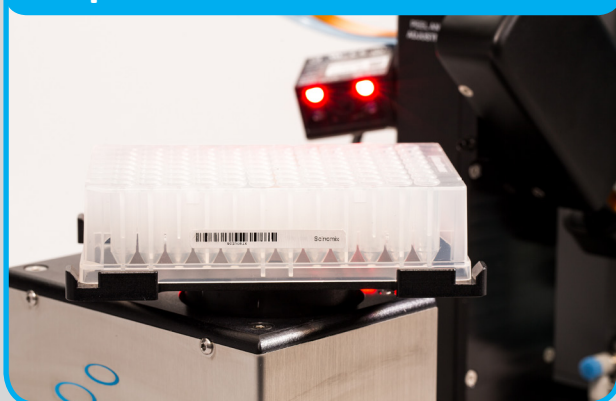


### Optional barcode scanner



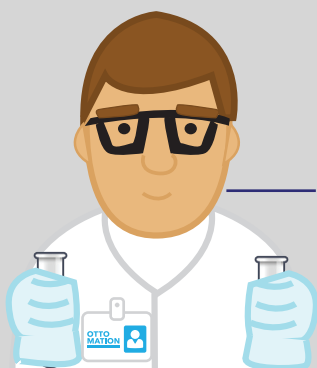
## SCI-PRINT MP2

### SEMI-AUTOMATED PLATE HANDLER

The Sci-Print MP2 (model # 1043) is a benchtop semi-automated barcode label printer that prints and applies labels onto a variety of microplates for sample tracking. It can be used in a manual stand-alone environment or integrated into a fully automated system.

### FEATURES & BENEFITS

- Label up to four sides of the plate
- Print a range of standard barcodes (1D & 2D)
- Optional barcode scanner
- Easily integrated into third party systems
- User configurable fields
- Increase productivity & efficiency
- Label consistency
- Eliminate human error
- Reduce repetitive injuries
- Small footprint saves valuable space in the lab

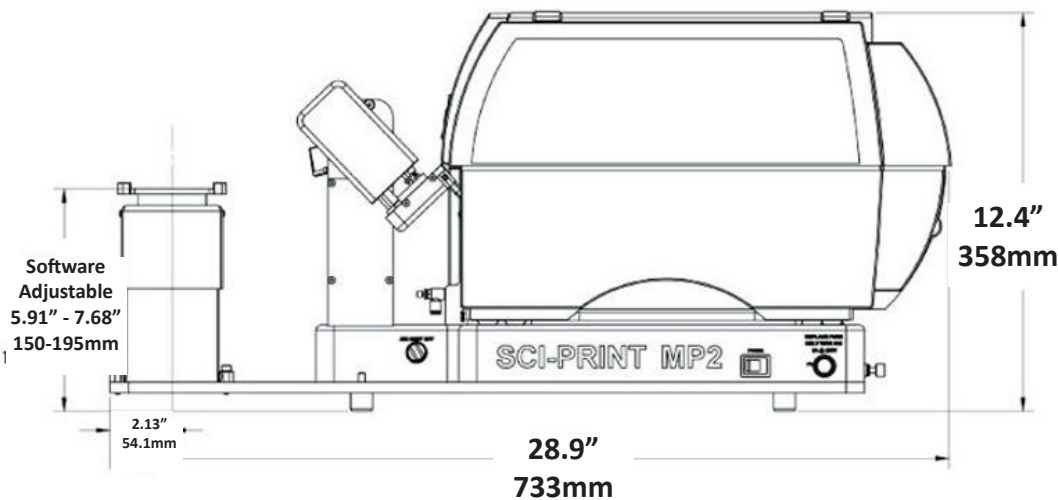


Contact us for more info!  
p. 314-298-9800  
e. [info@scinomix.com](mailto:info@scinomix.com)  
w. [scinomix.com](http://scinomix.com)

## SCI-PRINT MP2 SPECIFICATIONS

<b>System Requirements</b>	Windows 7 with Service Pack 1, Windows 8/ 8.1 , Windows XP with Service Pack 3, Microsoft.NET Framework 3.5 with Service Pack 1 or greater.
<b>Network Requirements</b>	Connects to a computer via RS232 serial port. A serial port or USB-serial port adaptor is required on the computer.
<b>Air Requirements</b>	80-90 PSI @ 2.5 CFM. The air supply must be oil/contaminant free, with an inline regulator and air dryer.
<b>Main Power Requirements</b>	<b>Printer:</b> 110-240V AC @2A 50-60Hz, <b>Power Supply:</b> 120-240VAC @ 1.4A, 50-60Hz
<b>Provided Power Supply</b>	<b>Output Voltage:</b> 24 V DC <b>Max Output Current:</b> 2.71 A <b>Max Output Power:</b> 65 W <b>Max Ripple and Noise:</b> 240 mV p-p
<b>Transport and Storage Temperature</b>	-20 degrees C to +55 degrees C
<b>Operating Environment</b>	<i>(Indoor use only)</i> <b>Temperature:</b> 10 degrees C to 40 degrees C <b>Humidity:</b> 20% to 80% non-condensing <b>Altitude:</b> Up to 2000M <b>Main Supply:</b> +/- 10% Rated Voltage <b>Transient overvoltage:</b> Overvoltage category I , Printer (Overvoltage category) II <b>Rated pollution:</b> Pollution degree II
<b>Physical Dimensions</b>	<b>Height:</b> 12.4" (358mm), <b>Width:</b> 7.7" (196mm), <b>Depth:</b> 28.9" (733mm), <b>Weight:</b> 37.5 lb. (17KG)
<b>Labeling Rate</b>	4 seconds per label
<b>Plate Height Specifications</b>	<b>Max Height:</b> 46mm, <b>Min Height:</b> 6mm (*plate requirements)
<b>Transport and Storage Temperature</b>	-20 degrees C to +55 degrees C
<b>Certifications</b>	CE, FCC
<b>*Plate Requirements</b>	ANSI SLAS PLATE REQUIREMENTS: <a href="https://www.slas.org/SLAS/assets/File/ANSI_SLAS_1-2004_FootprintDimensions.pdf">https://www.slas.org/SLAS/assets/File/ANSI_SLAS_1-2004_FootprintDimensions.pdf</a>

**Side View**



**Front View**

